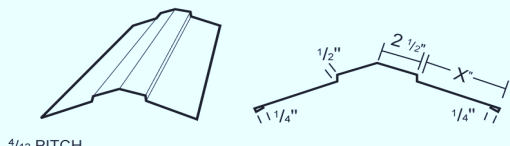
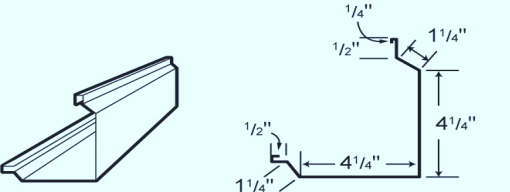
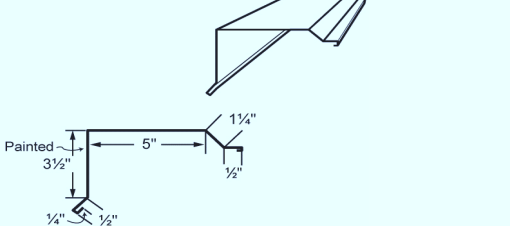
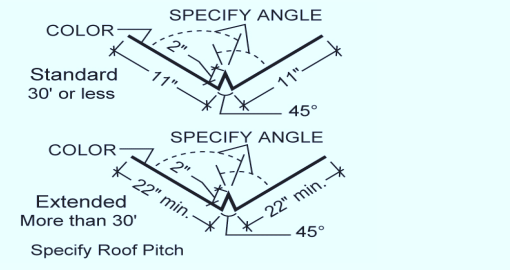
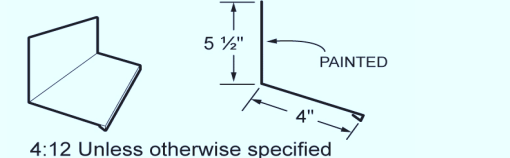
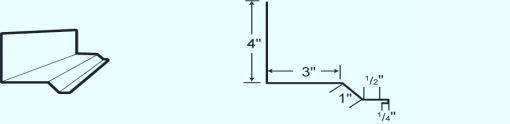
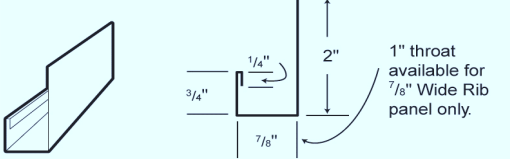
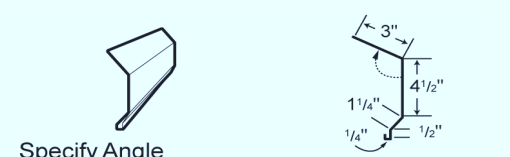
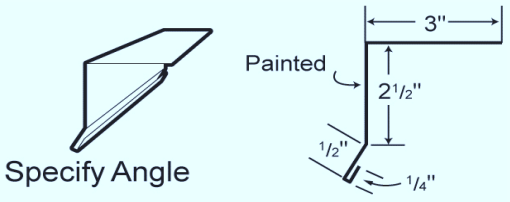
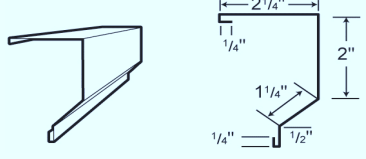
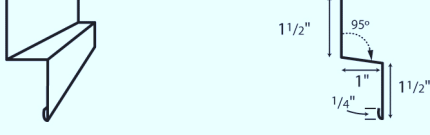
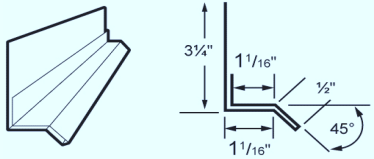
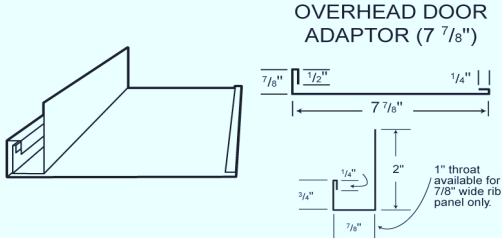
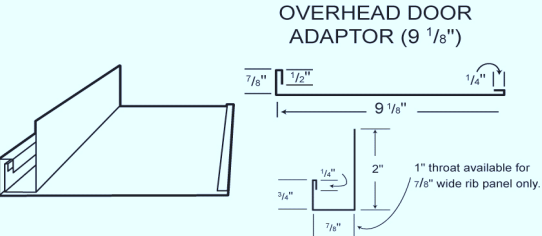
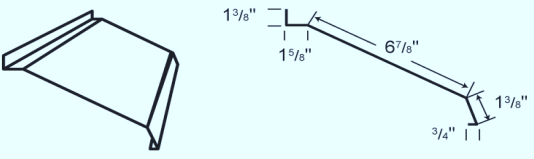
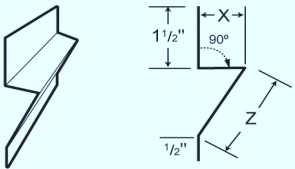


Sunrise Metal Roofing

 <p>4/12 PITCH</p>	<p>Ridge Cap</p> <p>X=4 X=5 X=6 X=7</p>	<p>10'6" 12'6" 14'6" 16'0"</p>
	<p>O/S Corner</p>	<p>10'6" 12'6" 14'6" 16'0"</p>
	<p>Denver Gable</p>	<p>10'6" 12'6" 14'6" 16'0"</p>
	<p>W-Valley</p>	<p>10'6"</p>
 <p>4:12 Unless otherwise specified</p>	<p>Denver Endwall</p>	<p>10'6"</p>
	<p>Sidewall</p>	<p>10'6"</p>
	<p>J-Channel</p>	<p>10'6" 16'0"</p>
 <p>Specify Angle</p>	<p>Eave Flashing</p>	<p>10'6"</p>

Sunrise Metal Roofing

 <p>Specify Angle</p> <p>Painted</p>	<p>Denver Eave</p> <p>10'6"</p>
	<p>Door & Edge</p> <p>10'6"</p> <p>12'6"</p> <p>14'6"</p> <p>16'0"</p>
 <p>95° angle used for drainage</p>	<p>Wainscote</p> <p>10'6"</p>
	<p>Window Drip</p> <p>10'6"</p>
 <p>OVERHEAD DOOR ADAPTOR (7 7/8")</p>	<p>Overhead Door - 7-7/8"</p> <p>10'6"</p> <p>12'6"</p> <p>14'6"</p> <p>16'0"</p>
 <p>OVERHEAD DOOR ADAPTOR (9 1/8")</p>	<p>Overhead Door - 9-1/8"</p> <p>10'6"</p> <p>12'6"</p> <p>14'6"</p> <p>16'0"</p>
	<p>Combo Track Cover</p> <p>10'6"</p>
	<p>Rat Guard</p> <p>10'6"</p>

Sunrise Metal Roofing

		Inside Corner	10'6" 12'6" 14'6" 16'0"	
<p>Specify Angle</p>		Lowe Gambrell	10'6"	
		Beaded Fascia	10'6"	
		Ridge/Hip	X = 6" 10'6"	
		1-1/2" x 3-1/2" 1-1/2" x 5-1/2" 1-1/2" x 7-1/4"	10'6" 10'6" 10'6"	
		National Door Track Cover	10'6"	
		Flat Stock	50'	
		12" Coverage	Soffit	12'6"
		Style 'D' Trim	10'6"	

*Perforation voids finish warranties